



TRINITY GLASS
INTERNATIONAL

33615 1st Way S, Federal Way, WA 98003

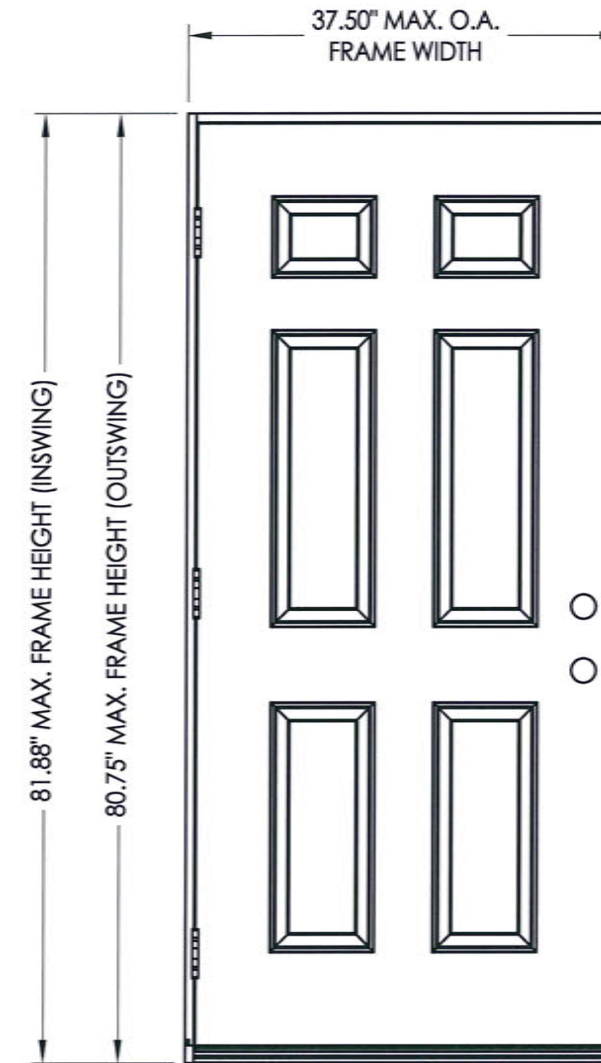
OPAQUE FIBERGLASS "IMPACT" DOOR INSWING / OUTSWING

GENERAL NOTES

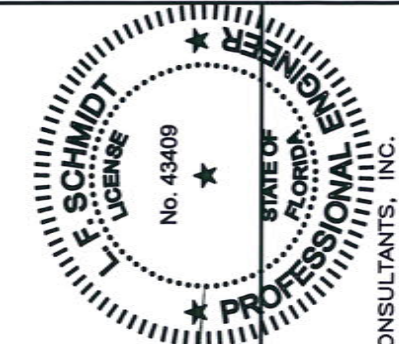
1. This product has been evaluated and is in compliance with the 5th Edition (2014) Florida Building Code (FBC) structural requirements excluding the "High Velocity Hurricane Zone" (HVHZ).
2. Product anchors shall be as listed and spaced as shown on details. Anchor embedment to base material shall be beyond wall dressing or stucco.
3. When used in areas requiring wind borne debris protection this product complies with Section 1609.1.2 of the FBC and does not require an impact resistant covering. This product meets missile level "D" and includes Wind Zone 4 as defined in ASTM E 1996 and Section 1609.1.2.2 of the FBC.
4. For 2x stud framing construction, anchoring of these units shall be the same as that shown for 2x buck masonry construction.
5. Site conditions that deviate from the details of this drawing require further engineering analysis by a licensed engineer or registered architect.

TABLE OF CONTENTS

| SHEET# | DESCRIPTION |
|--------|--|
| 1 | Typical elevations, design pressures & general notes |
| 2 | Door panel details |
| 3 | Horizontal cross sections |
| 4 | Vertical cross sections |
| 5 | Buck and frame anchoring |
| 6 | Components |
| 7 | Bill of materials |



| MAX. FRAME DIMENSION | JAMB TYPE | DESIGN PRESSURE (PSF) | |
|----------------------|---------------------|-----------------------|----------|
| | | POSITIVE | NEGATIVE |
| 37.50" x 81.88" | WOOD | +75.0 | -75.0 |
| | PVC FIBERGLASS/COMP | +60.0 | -60.0 |



Documents Prepared By:
Lyndon F. Schmidt
P.E. No. 43409

R.W. BUILDING CONSULTANTS, INC.
P.O. Box 230, Valrico, FL 33595
Phone No.: 813.659.9197
FBPE C.A. No. 9813

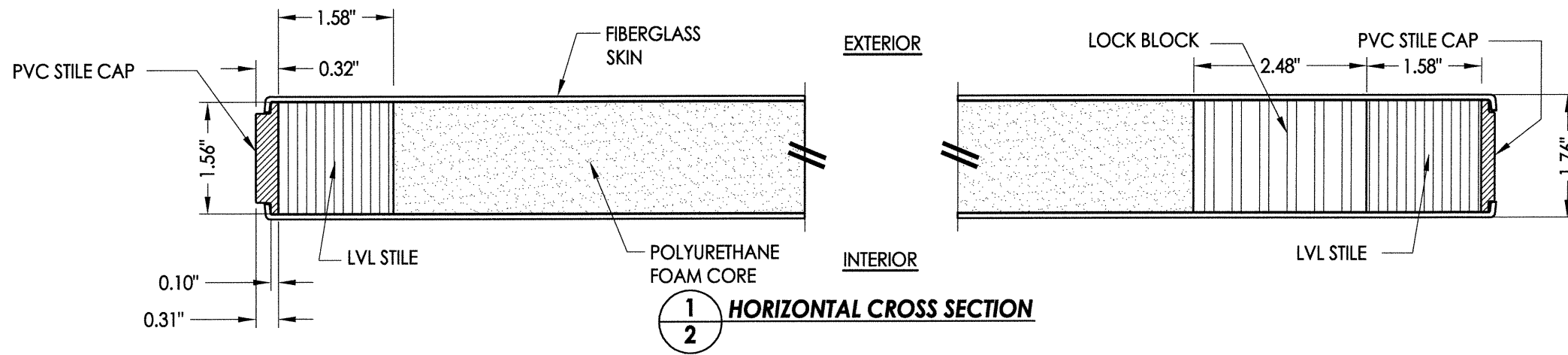
PRODUCT: TRINITY GLASS INT'L

PART OR ASSEMBLY:
TYPICAL ELEVATION, DESIGN PRESSURES & GENERAL NOTES

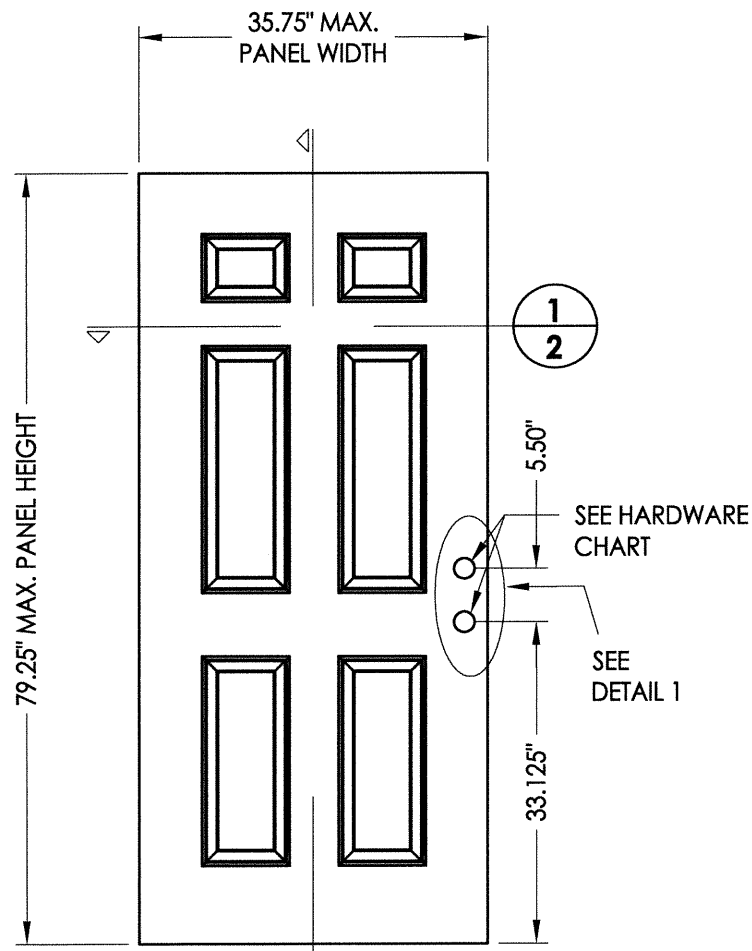
| NO. | DATE | BY | REVISIONS |
|-----|----------|-----|------------------------------|
| 2 | 03/02/15 | JK | UPDATE TO 5TH ED. (2014) FBC |
| 1 | 12/16/14 | LFS | REVISED LOCK HARDWARE |

DATE: 1/18/12
SCALE: N.T.S.
DWG. BY: JK
CHK. BY: LFS
DRAWING NO.: FL-15129.1
SHEET 1 OF 7

R:\Clients\Trinity PERMANENT\Florida Product Approvals\FL-15129\Drawings\Current\FL-15129.1-4.dwg, 2.1

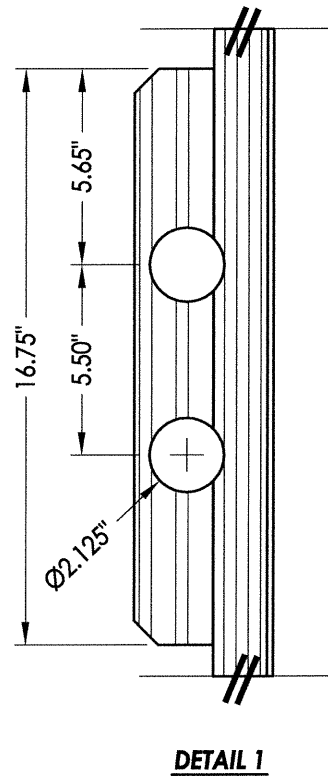


1
2
HORIZONTAL CROSS SECTION



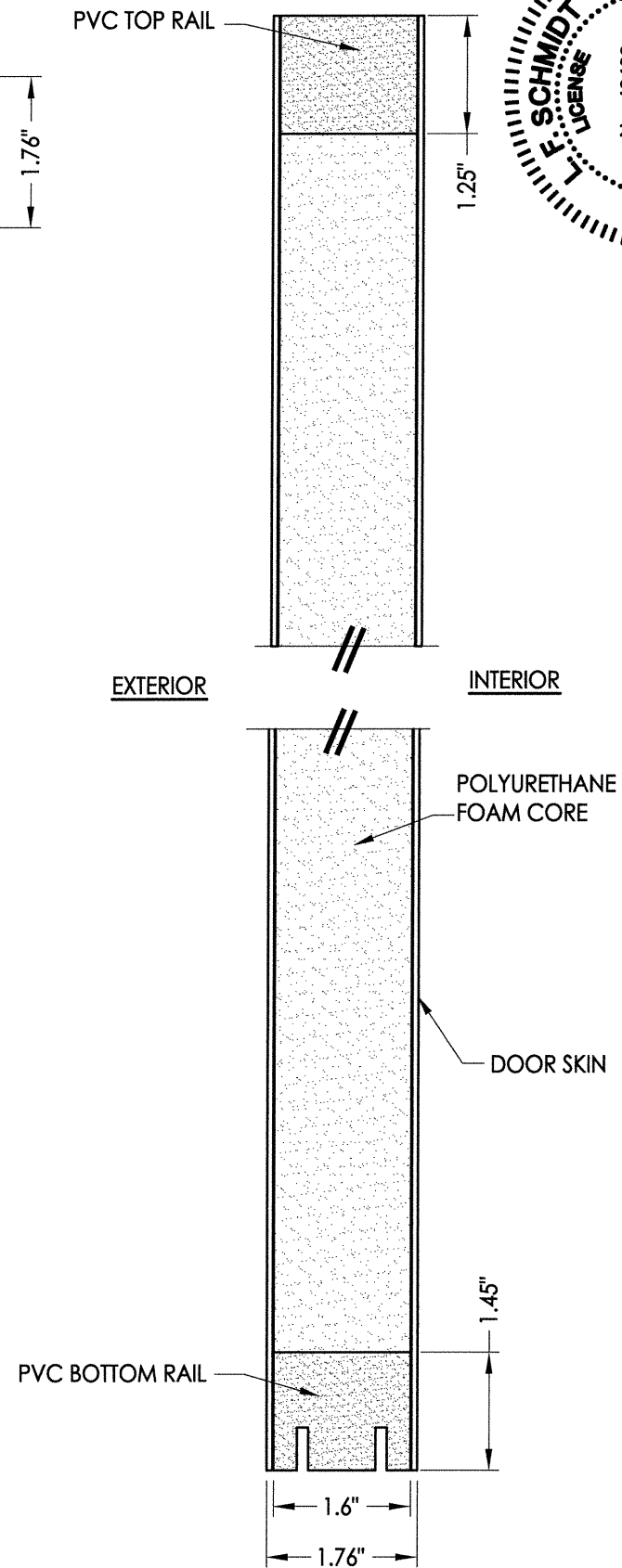
40 **OPAQUE DOOR**

DOOR SKIN: 0.070" MIN. THK. FIBERGLASS
CORE MATERIAL: POLYURETHANE FOAM

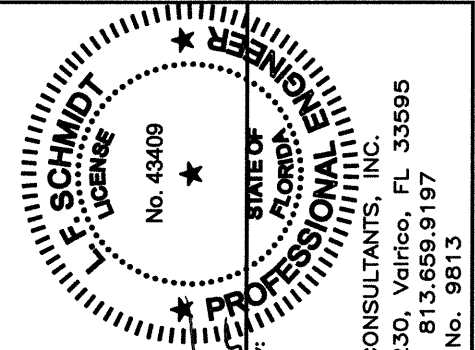


DETAIL 1

| HARDWARE CHART | |
|----------------|--|
| MANUFACTURER | MODEL |
| KWIKSET | KNOB: SIGNATURE SERIES DEADBOLT: SIGNATURE SERIES (980) |
| KWIKSET | KNOB & DEADBOLT: SIGNATURE SERIES COMBO PACK (991) |
| SCHLAGE | KNOB: F SERIES DEADBOLT: B60 SERIES |



2
2
VERTICAL CROSS SECTION

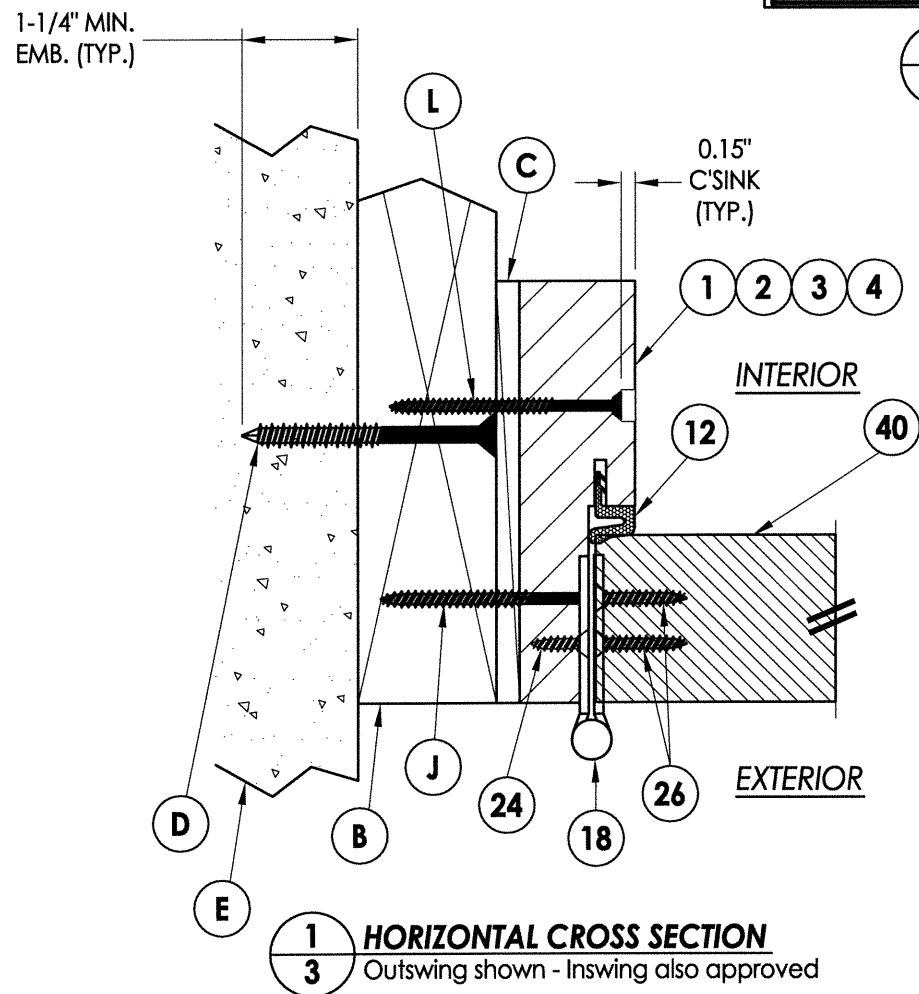
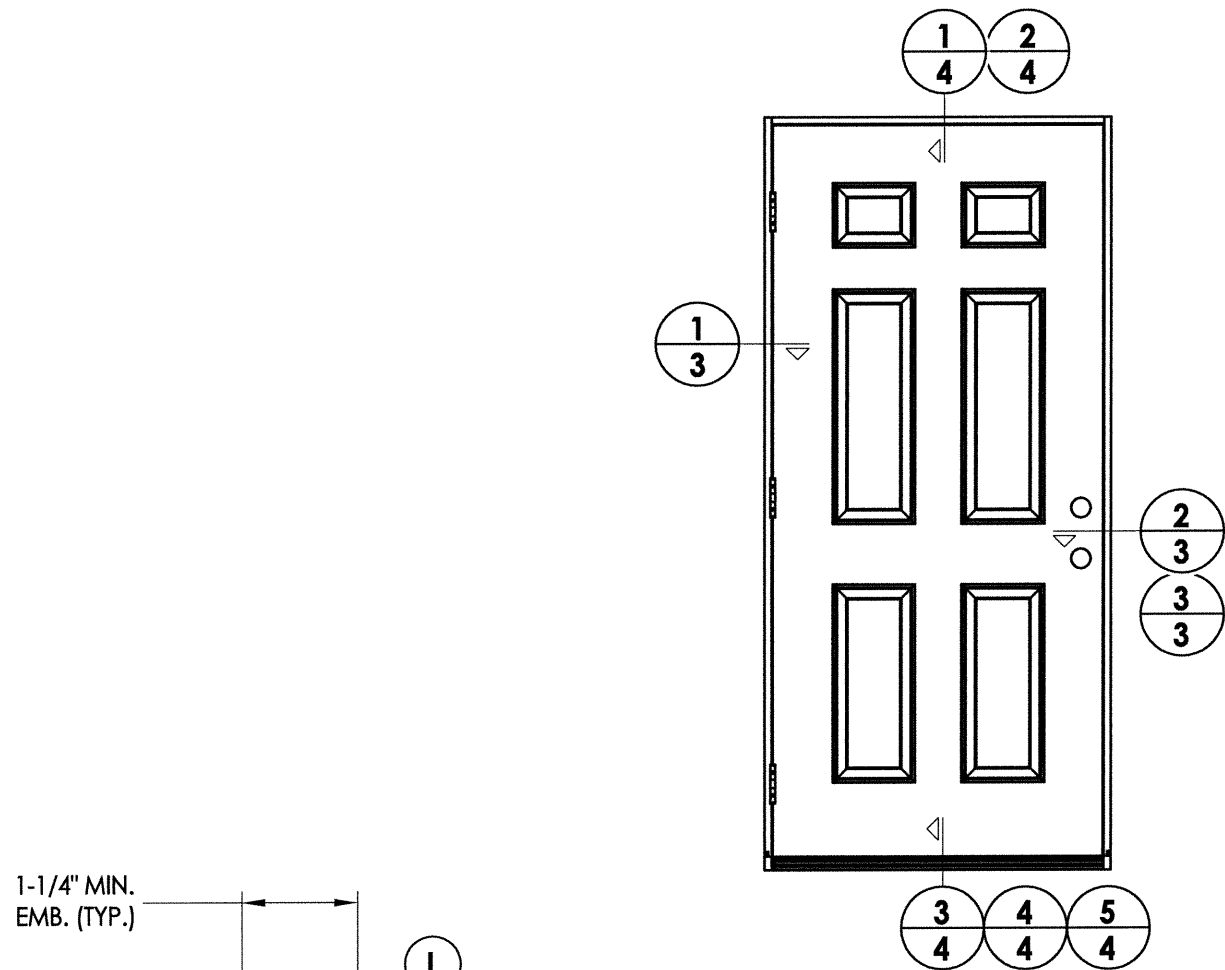


Documents Prepared By:
Lyndon F. Schmidt
P.E. No. 43409
RW BUILDING CONSULTANTS, INC.
P.O. Box 230, Valrico, FL 33595
Phone No.: 813.659.9197
FBPE C.A. No. 9813

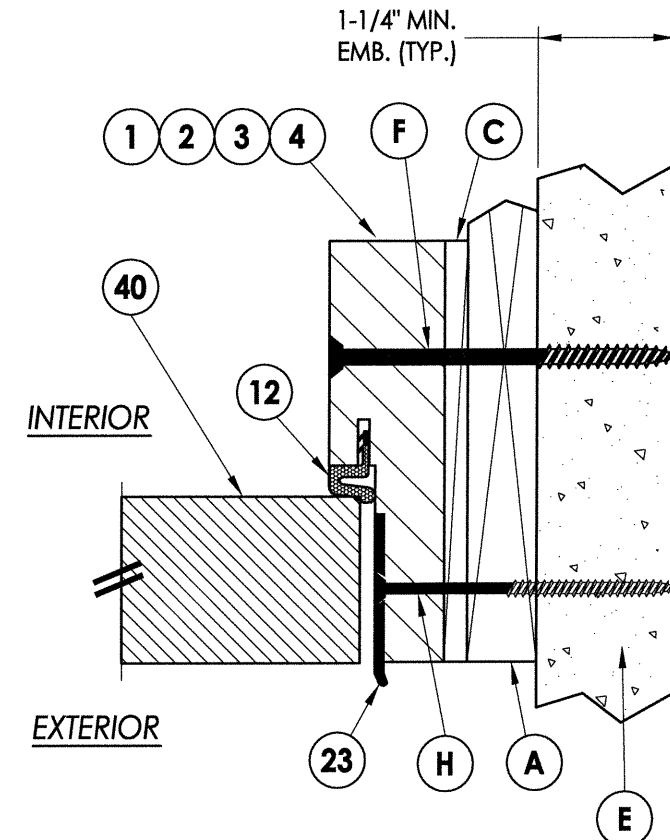
| | | |
|--------------------------------|---------------------|-----|
| PRODUCT: | TRINITY GLASS INT'L | |
| PART OR ASSEMBLY: | DOOR PANEL DETAILS | |
| DATE | NO. | BY |
| 03/02/15 | 2 | JK |
| UPDATE TO 5TH ED. (2014) FBC | | LFS |
| 12/16/14 REVISED LOCK HARDWARE | | |

| | |
|--------------|------------|
| DATE: | 1/18/12 |
| SCALE: | N.T.S. |
| DWG. BY: | JK |
| CHK. BY: | LFS |
| DRAWING NO.: | FL-15129.1 |
| SHEET | 2 OF 7 |

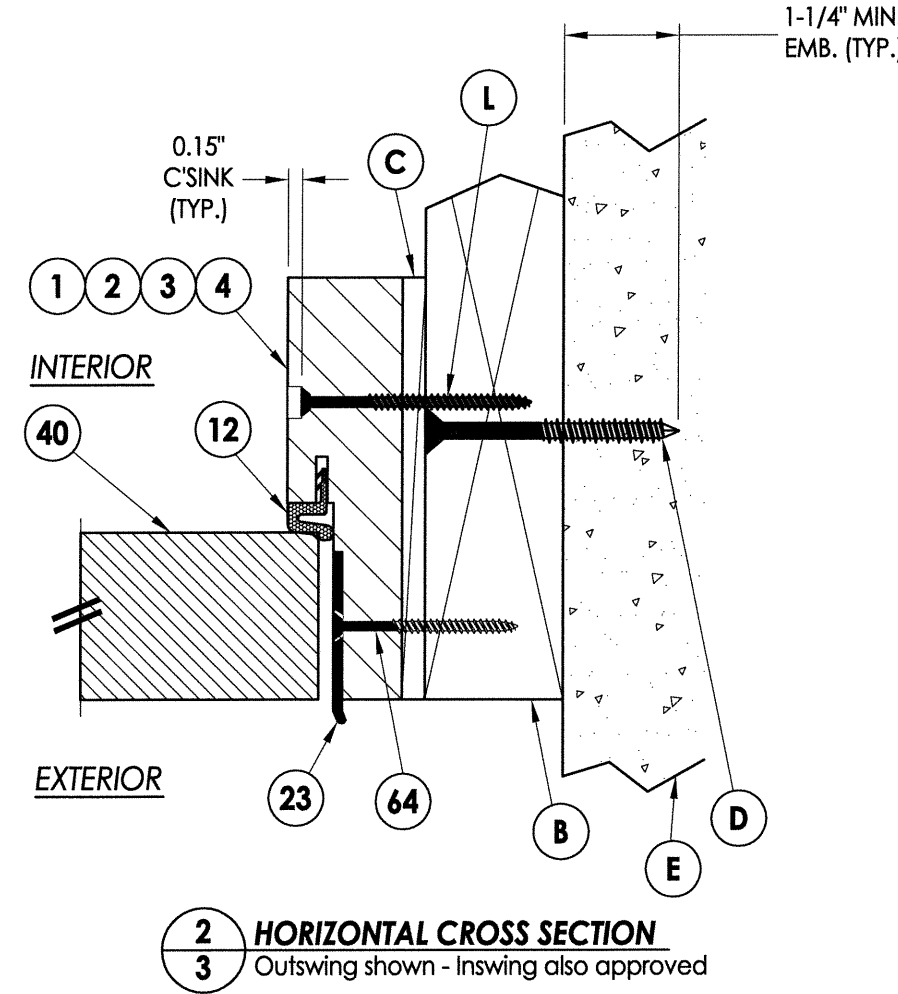
R:\Clients\Trinity Permanent\Florida Product Approvals\FL-15129\Drawings\Current\FL-15129_1-4.dwg, 3.1



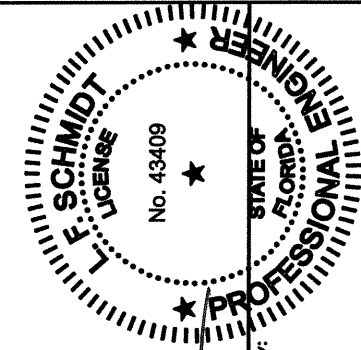
1 HORIZONTAL CROSS SECTION
3 Outswing shown - Inswing also approved



3 HORIZONTAL CROSS SECTION
3 Shown w/1X sub-buck



2 HORIZONTAL CROSS SECTION
3 Outswing shown - Inswing also approved

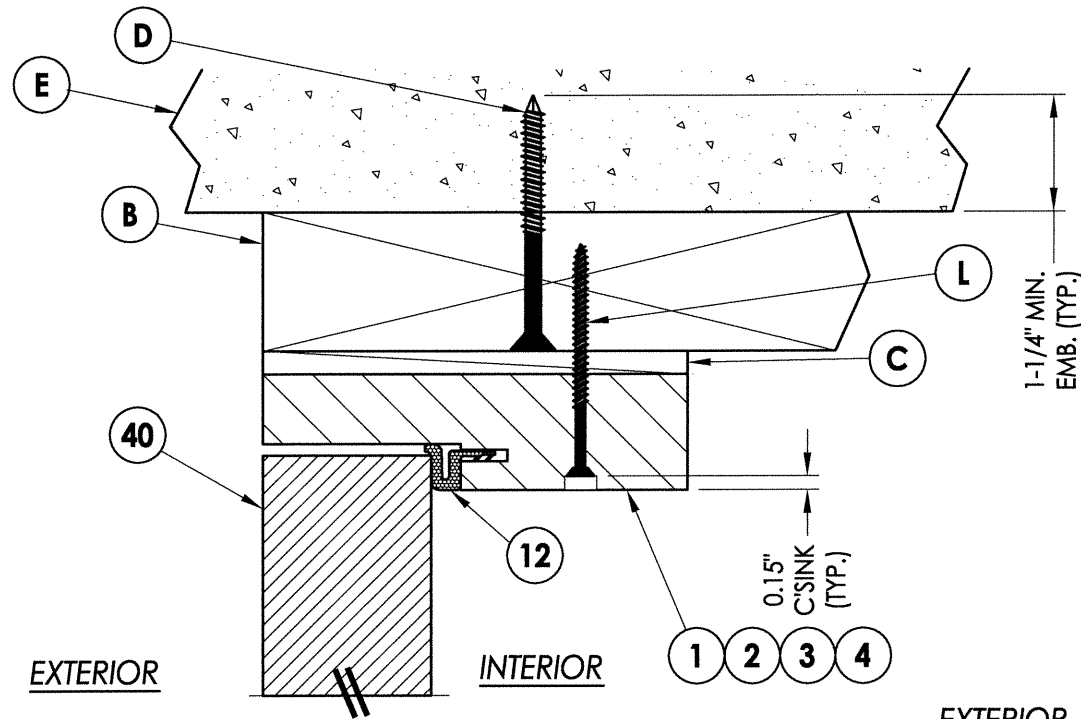


Documents Prepared By:
 Lyndon F. Schmidt
 P.E. No. 43409

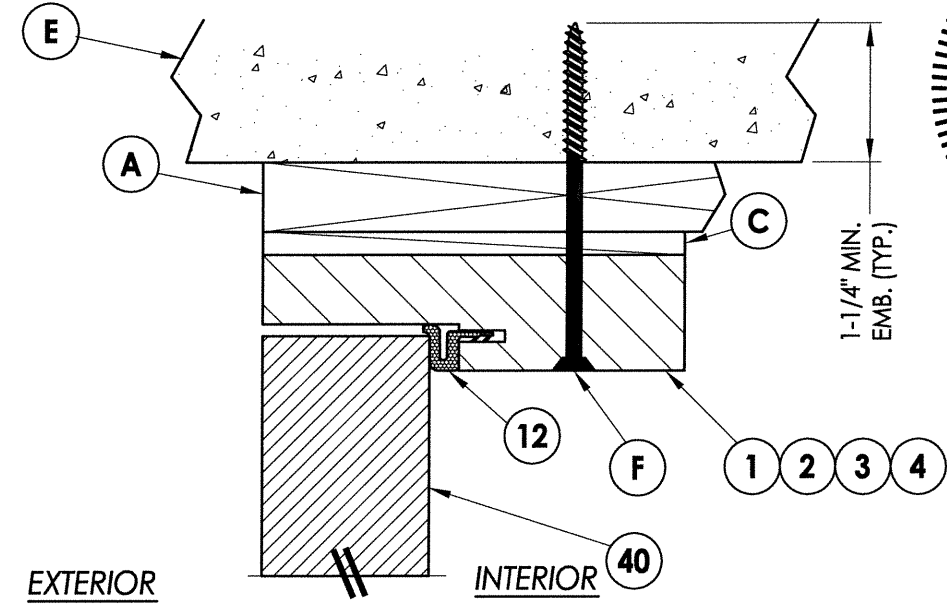
R.W. BUILDING CONSULTANTS, INC.
 P.O. Box 230, Valrico, FL 33595
 Phone No.: 813.659.9197
 FBPE C.A. No. 9813

| | | |
|-------------------|---------------------------|-----|
| PRODUCT: | TRINITY GLASS INT'L | |
| PART OR ASSEMBLY: | HORIZONTAL CROSS SECTIONS | |
| NO. | DATE | BY |
| 2 | 03/02/15 | JK |
| 1 | 12/16/14 | LFS |
| REVISIONS | | |
| DATE: | 1/18/12 | |
| SCALE: | N.T.S. | |
| DWG. BY: | JK | |
| CHK. BY: | LFS | |
| DRAWING NO.: | FL-15129.1 | |
| SHEET | 3 of 7 | |

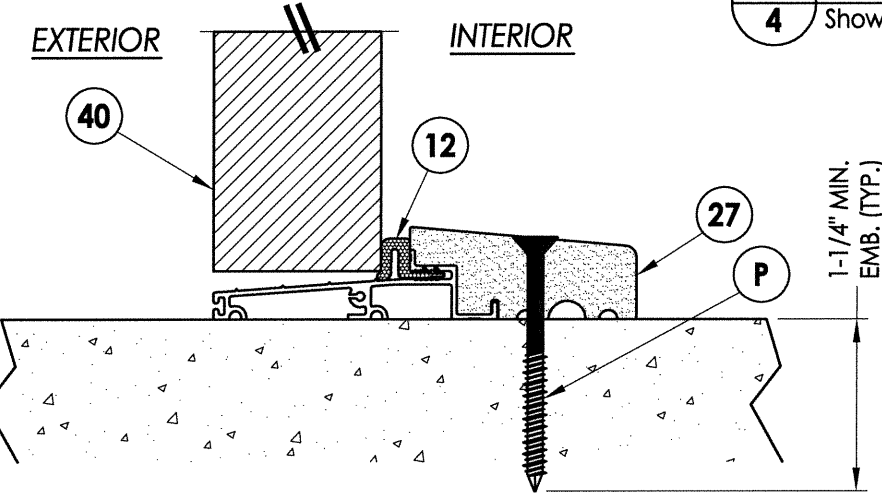
R:\Clients\Trinity PERMANENT\Florida Product Approvals\FL-15129\Drawings\Current\FL-15129.1-4.dwg, 4.1



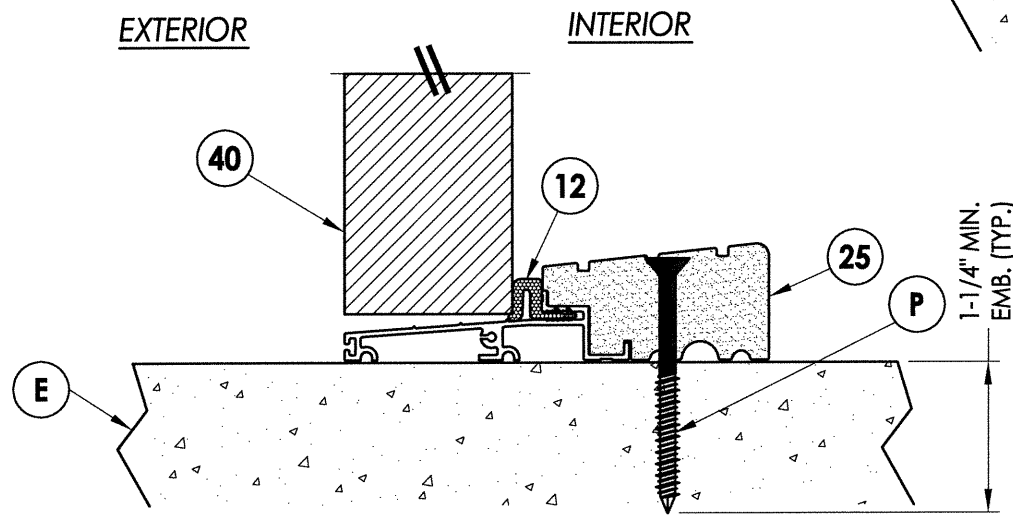
1 VERTICAL CROSS SECTION
4 Outwing shown
 Inswing also approved



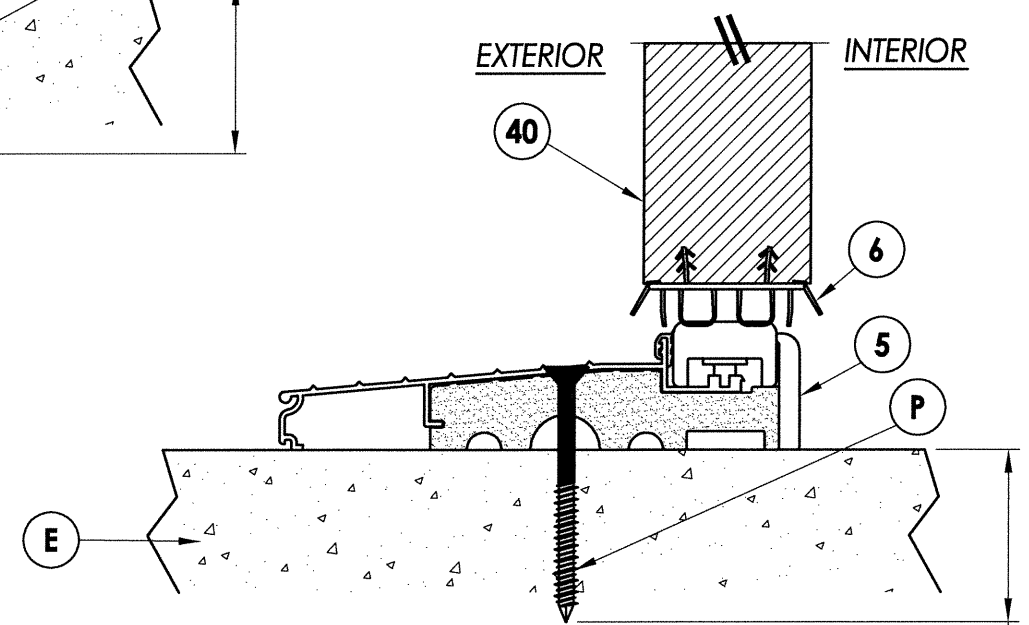
2 VERTICAL CROSS SECTION
4 Shown w/1X sub-buck



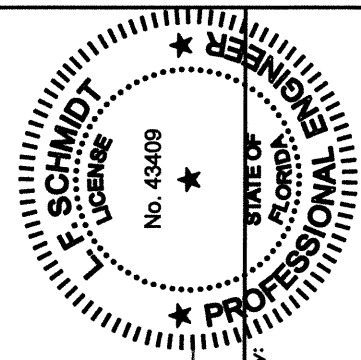
4 VERTICAL CROSS SECTION
4 Outwing sill



3 VERTICAL CROSS SECTION
4 Outwing sill - high dam

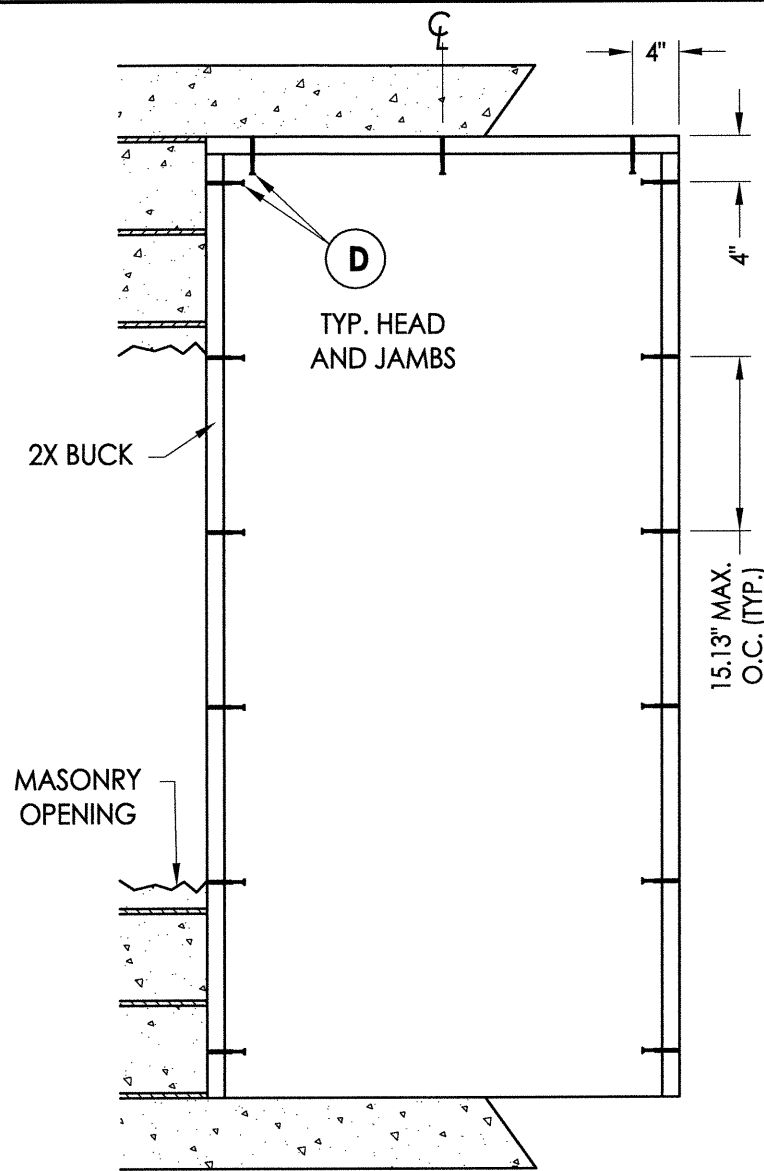


5 VERTICAL CROSS SECTION
4 Inswing sill

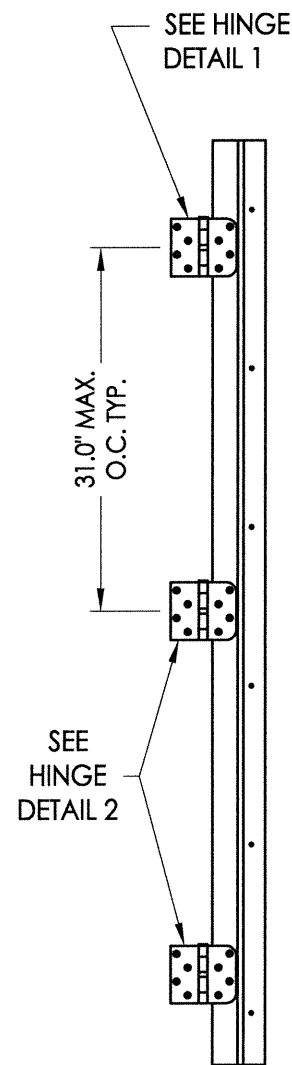


Documents Prepared By:
 Lyndon F. Schmidt
 P.E. No. 43409
 R.W. BUILDING CONSULTANTS, INC.
 P.O. Box 230, Valrico, FL 33595
 Phone No.: 813.659.9197
 FBPE C.A. No. 9813

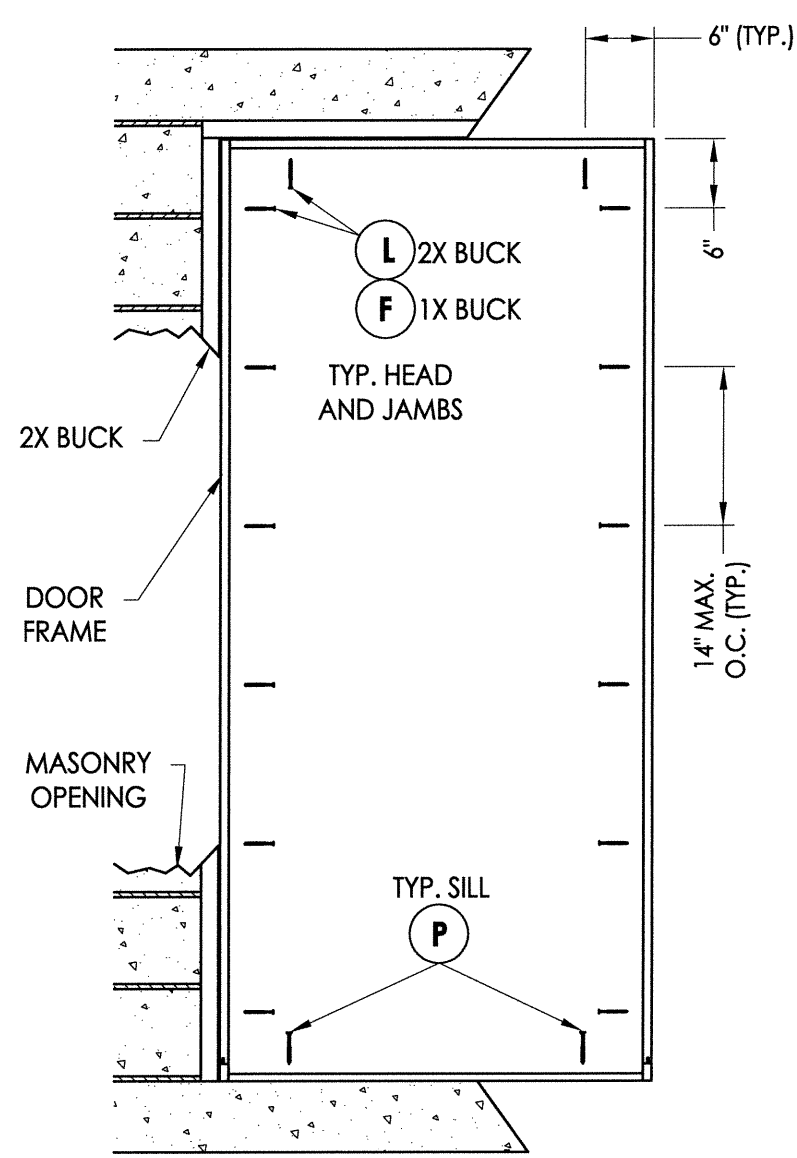
| | |
|-------------------|-------------------------|
| PRODUCT: | TRINITY GLASS INT'L |
| PART OR ASSEMBLY: | VERTICAL CROSS SECTIONS |
| DATE: | 1/18/12 |
| SCALE: | N.T.S. |
| DWG. BY: | JK |
| CHK. BY: | LFS |
| DRAWING NO.: | FL-15129.1 |
| SHEET | 4 OF 7 |



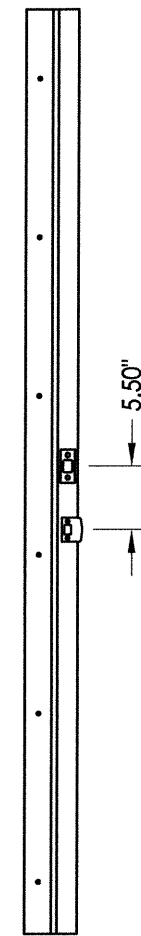
BUCK ANCHORING



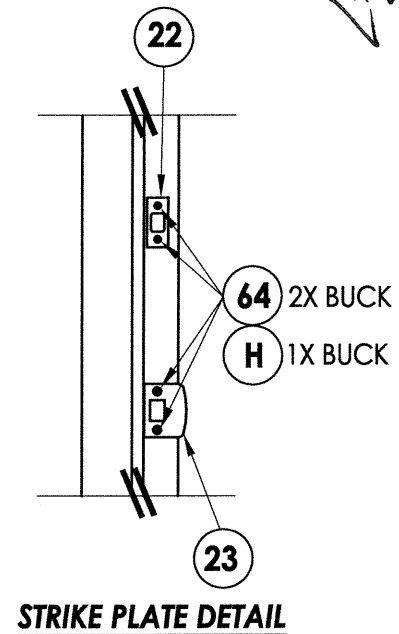
HINGE JAMB



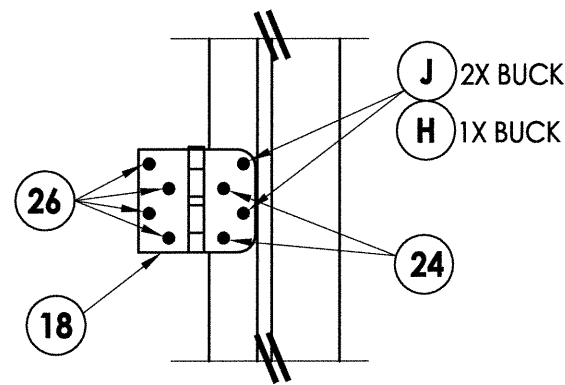
FRAME ANCHORING
Masonry construction



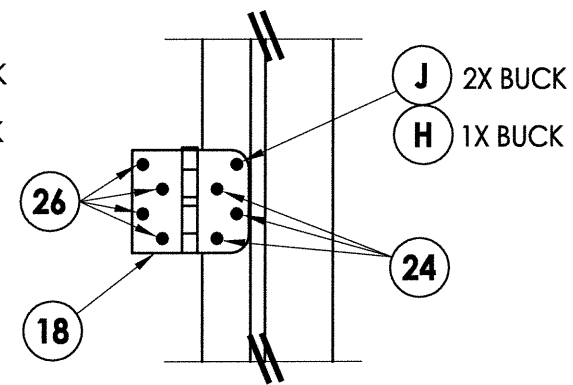
STRIKE JAMB



STRIKE PLATE DETAIL



HINGE DETAIL 1



HINGE DETAIL 2

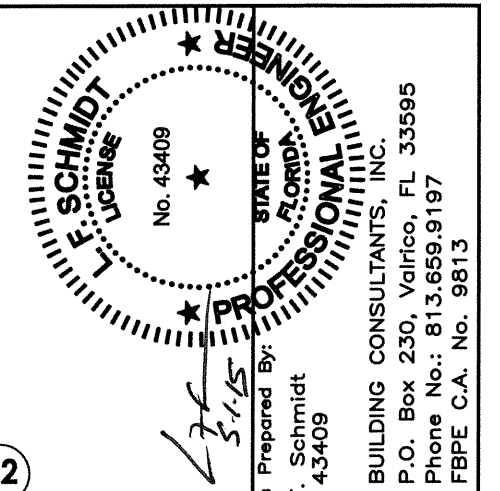
CONCRETE ANCHOR NOTES:

- Concrete anchor locations at the corners may be adjusted to maintain the min. edge distance to mortar joints.
- Concrete anchor locations noted as "MAX. ON CENTER" must be adjusted to maintain the min. edge distance to mortar joints, additional concrete anchors may be required to ensure the "MAX. ON CENTER" dimension are not exceeded.
- Concrete anchor table:

| ANCHOR TYPE | ANCHOR SIZE | MIN. EMBEDMENT | MIN. CLEARANCE TO MASONRY EDGE | MIN. CLEARANCE TO ADJACENT ANCHOR |
|---------------------|-------------|----------------|--------------------------------|-----------------------------------|
| ITW BUILDEX TAPCON® | 3/16" | 1-1/4" | 3" | 1-1/2" |
| | 1/4" | 1-1/4" | 2" | 4" |
| ELCO ULTRACON® | 1/4" | 1-1/4" | 1" | 4" |

WOOD SCREW INSTALLATION NOTES:

- Maintain a minimum 5/8" edge distance, 1" end distance, & 1" o.c. spacing of wood screws to prevent the splitting of wood.



Documents Prepared By:
Lyndon F. Schmidt
P.E. No. 43409

R.W. BUILDING CONSULTANTS, INC.
P.O. Box 230, Valrico, FL 33595
Phone No.: 813.659.9197
FBPE C.A. No. 9813

PRODUCT: TRINITY GLASS INT'L

PART OR ASSEMBLY:
BUCK AND FRAME ANCHORING

| NO. | DATE | BY | REVISIONS |
|-----|----------|-----|------------------------------|
| 2 | 03/02/15 | JK | UPDATE TO 5TH ED. (2014) FBC |
| 1 | 12/16/14 | LFS | REVISED LOCK HARDWARE |

DATE: 1/18/12

SCALE: N.T.S.

DWG. BY: JK

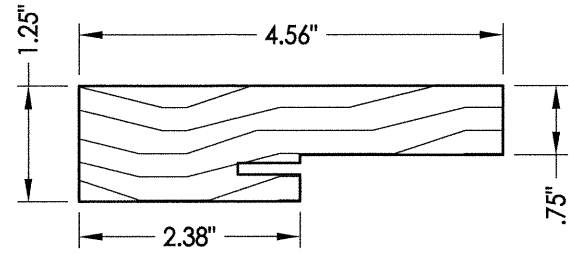
CHK. BY: LFS

DRAWING NO.:

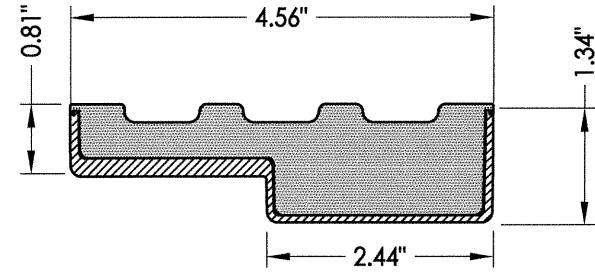
FL-15129.1

SHEET 5 OF 7

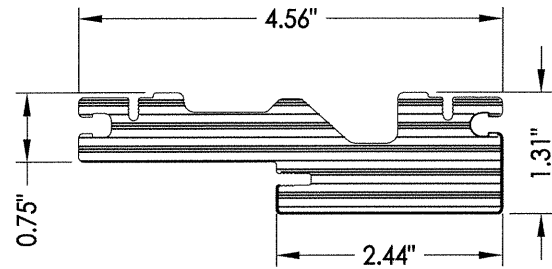
R:\Clients\Trinity PERMANENT\Florida Product Approvals\FL-15129\Drawings\Current\FL-15129.1-4.dwg, 6.1



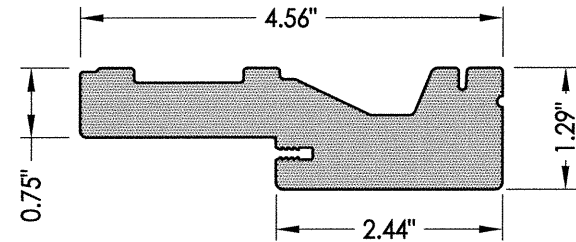
1 HEAD AND JAMBS
Wood



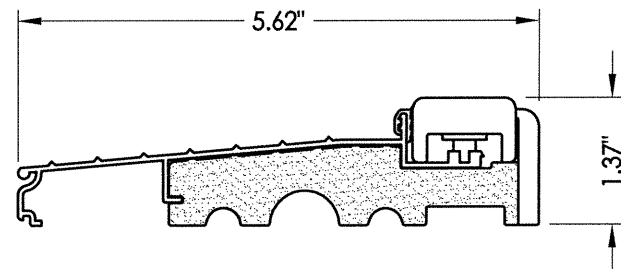
2 HEAD AND JAMBS
Composite PVC Base
w/ Fiberglass Wrap



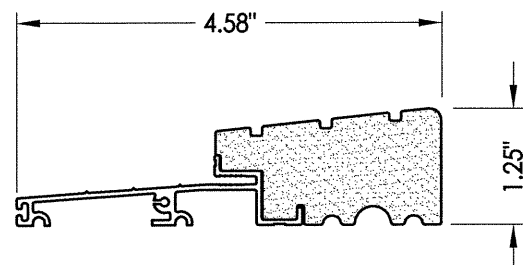
3 HEAD AND JAMBS
PVC



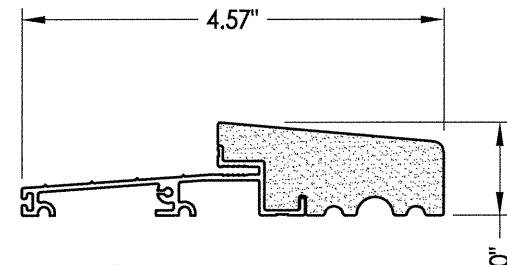
4 HEAD AND JAMBS
PVC



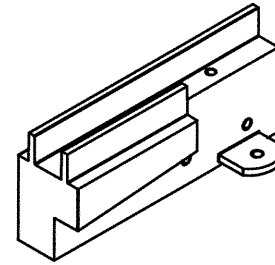
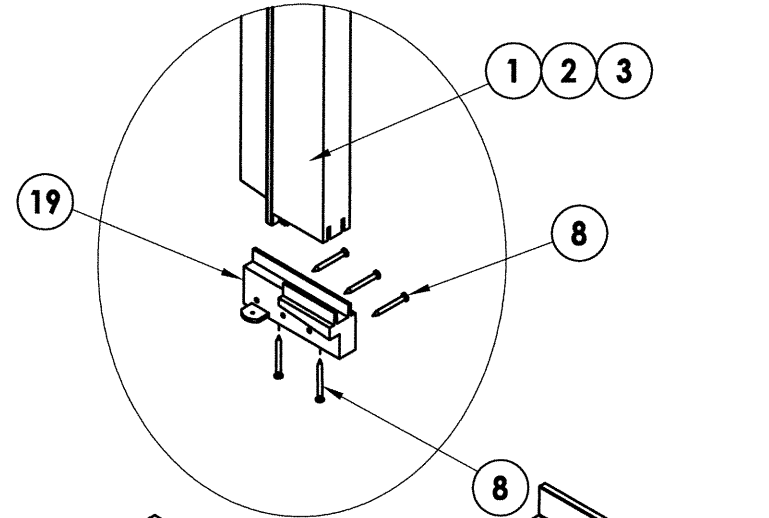
5 INSWING THRESHOLD



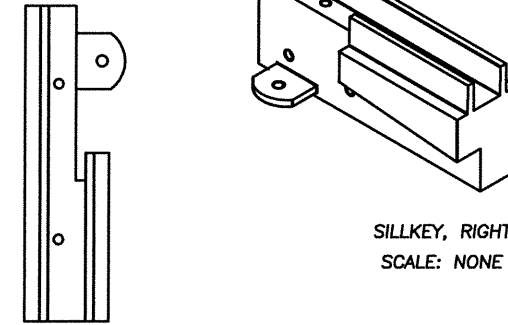
25 OUTSWING THRESHOLD
High-dam



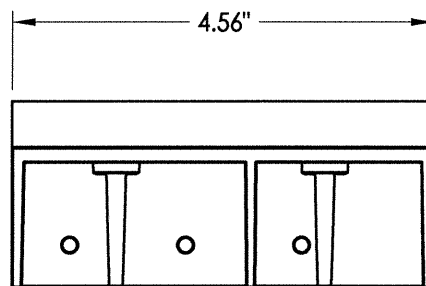
27 OUTSWING THRESHOLD



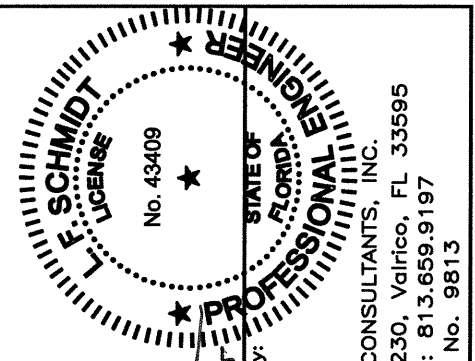
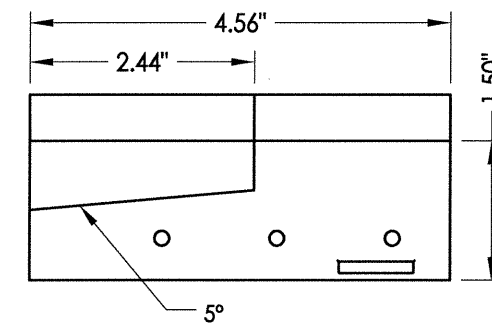
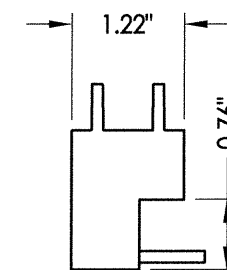
SILLKEY, LEFT
SCALE: NONE



SILLKEY, RIGHT
SCALE: NONE



19 SILLKEY DETAILS
Optional



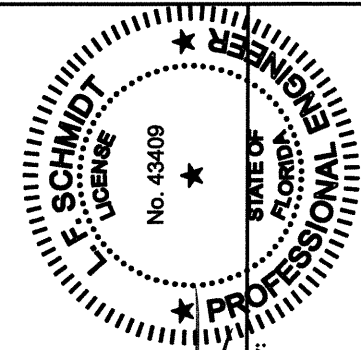
Documents Prepared By:
Lyndon F. Schmidt
P.E. No. 43409
RW BUILDING CONSULTANTS, INC.
P.O. Box 230, Valrico, FL 33595
Phone No.: 813.659.9197
FBPE C.A. No. 9813

| | |
|-------------------|---------------------|
| PRODUCT: | TRINITY GLASS INT'L |
| PART OR ASSEMBLY: | COMPONENTS |

| NO. | DATE | BY | REVISIONS |
|-----|----------|-----|------------------------------|
| 2 | 03/02/15 | JK | UPDATE TO 5TH ED. (2014) FBC |
| 1 | 12/16/14 | LFS | REVISED LOCK HARDWARE |

| | |
|--------------|------------|
| DATE: | 1/18/12 |
| SCALE: | N.T.S. |
| DWG. BY: | JK |
| CHK. BY: | LFS |
| DRAWING NO.: | FL-15129.1 |
| SHEET | 6 OF 7 |

| BILL OF MATERIALS | | |
|-------------------|--|-----------------|
| ITEM # | DESCRIPTION | MATERIAL |
| A | 1X BUCK SG >= 0.55 | WOOD |
| B | 2X BUCK SG >= 0.55 | WOOD |
| C | 1/4" MAX. SHIM SPACE | - |
| D | 1/4" X 2-3/4" PFH ELCO OR ITW CONCRETE SCREW | STEEL |
| E | MASONRY - 3,000 PSI MIN. CONCRETE CONFORMING TO ACI 301 OR HOLLOW BLOCK CONFORMING TO ASTM C90 | CONCRETE |
| F | 1/4" X 3-3/4" PFH ITW CONCRETE SCREW | STEEL |
| H | 3/16" X 3-1/4" PFH ITW CONCRETE SCREW | STEEL |
| J | #9 X 2-1/4" PFH WS | STEEL |
| L | #8 X 2-1/2" PFH WS | STEEL |
| P | 1/4" X 2-3/4" PFH ELCO OR ITW CONCRETE SCREW | STEEL |
| 1 | JAMB (FINGER-JOINT PINE - SG >= 0.42) | WOOD |
| 2 | JAMB | PVC |
| 3 | JAMB | FIBERGLASS/COMP |
| 4 | JAMB | PVC |
| 5 | INSWING THRESHOLD ALUMINUM W/ COMPOSITE SUBSTRATE | ALUMINUM |
| 6 | DOOR BOTTOM SWEEP | PVC |
| 8 | #6 X 1-1/4 PFH DRYWALL SCREW | STEEL |
| 12 | WEATHER STRIP QEBD650 Q-LON | - |
| 18 | 3.983" X 4.0" HINGE MIN 0.098" THICK | STEEL |
| 19 | SILLKEY | PC/ASA |
| 22 | DEADBOLT STRIKE PLATE | STEEL |
| 23 | STRIKE PLATE | STEEL |
| 24 | #9 X 5/8" PFH WS | STEEL |
| 25 | OUTSWING HIGH-DAM THRESHOLD ALUMINUM W/ COMPOSITE SUBSTRATE | ALUM./ COMP. |
| 26 | #9 X 1.0" PFH WS | STEEL |
| 27 | OUTSWING THRESHOLD ALUMINUM W/ COMPOSITE SUBSTRATE | ALUM./ COMP. |
| 40 | DOOR PANEL - SEE DOOR PANEL DETAIL SHEET FOR CONSTRUCTION DETAILS | - |
| 64 | #8 X 2" PFH WOOD SCREW | STEEL |



L.R.
S.1.12
 Documents Prepared By:
 Lyndon F. Schmidt
 P.E. No. 43409
R.W. BUILDING CONSULTANTS, INC.
 P.O. Box 230, Valrico, FL 33595
 Phone No.: 813.659.9197
 FBPE C.A. No. 9813

PRODUCT: TRINITY GLASS INT'L
 PART OR ASSEMBLY: BILL OF MATERIALS

| NO. | DATE | BY |
|-----|----------|-----|
| 2 | 03/02/15 | JK |
| 1 | 12/16/14 | LFS |
| | | BY |

REVISIONS
 UPDATE TO 5TH ED. (2014) FBC
 REVISED LOCK HARDWARE

DATE: 1/18/12
 SCALE: N.T.S.
 DWG. BY: JK
 CHK. BY: LFS
 DRAWING NO.: FL-15129.1
 SHEET 7 OF 7